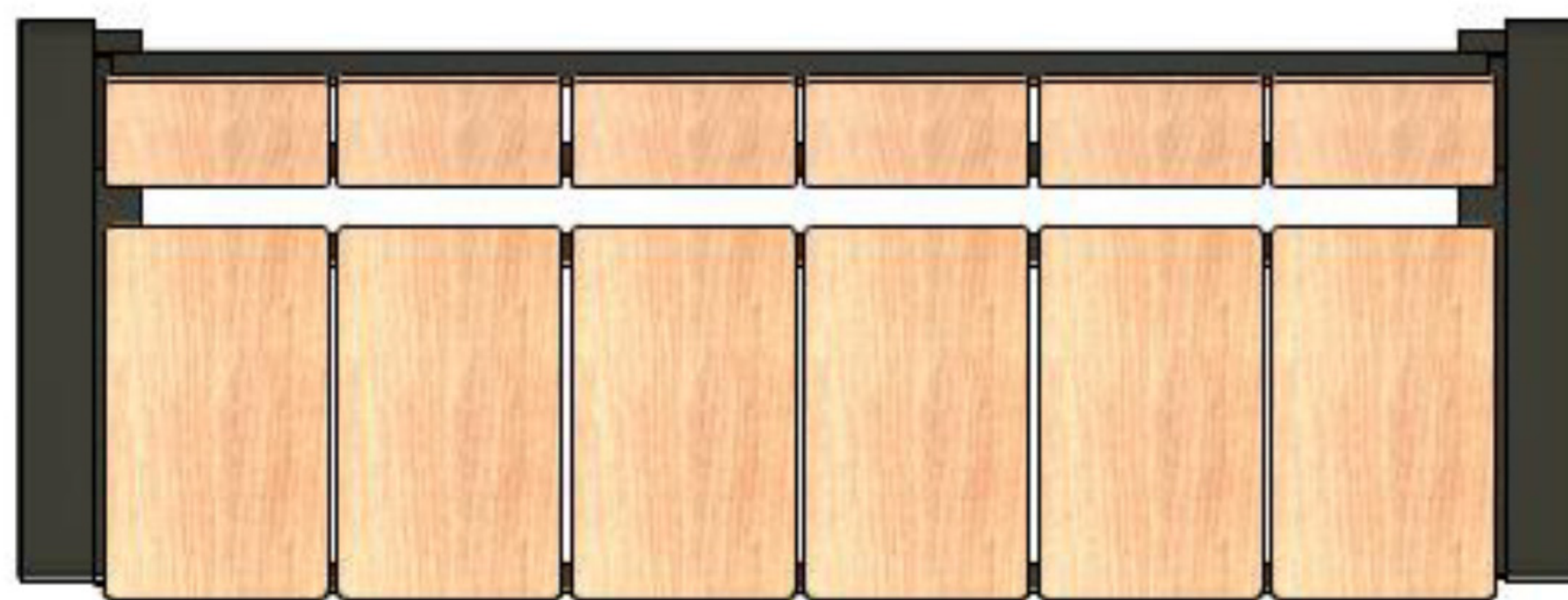
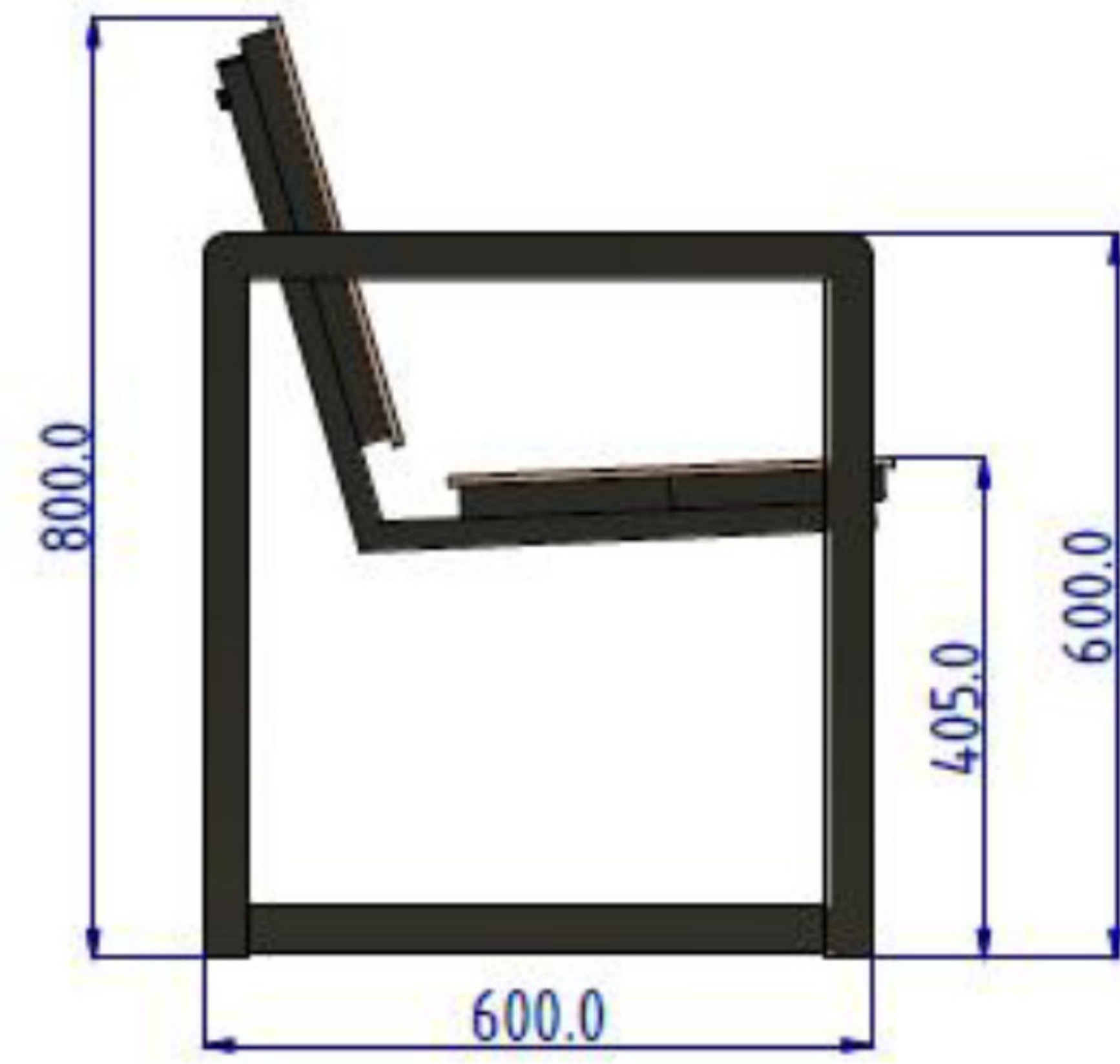
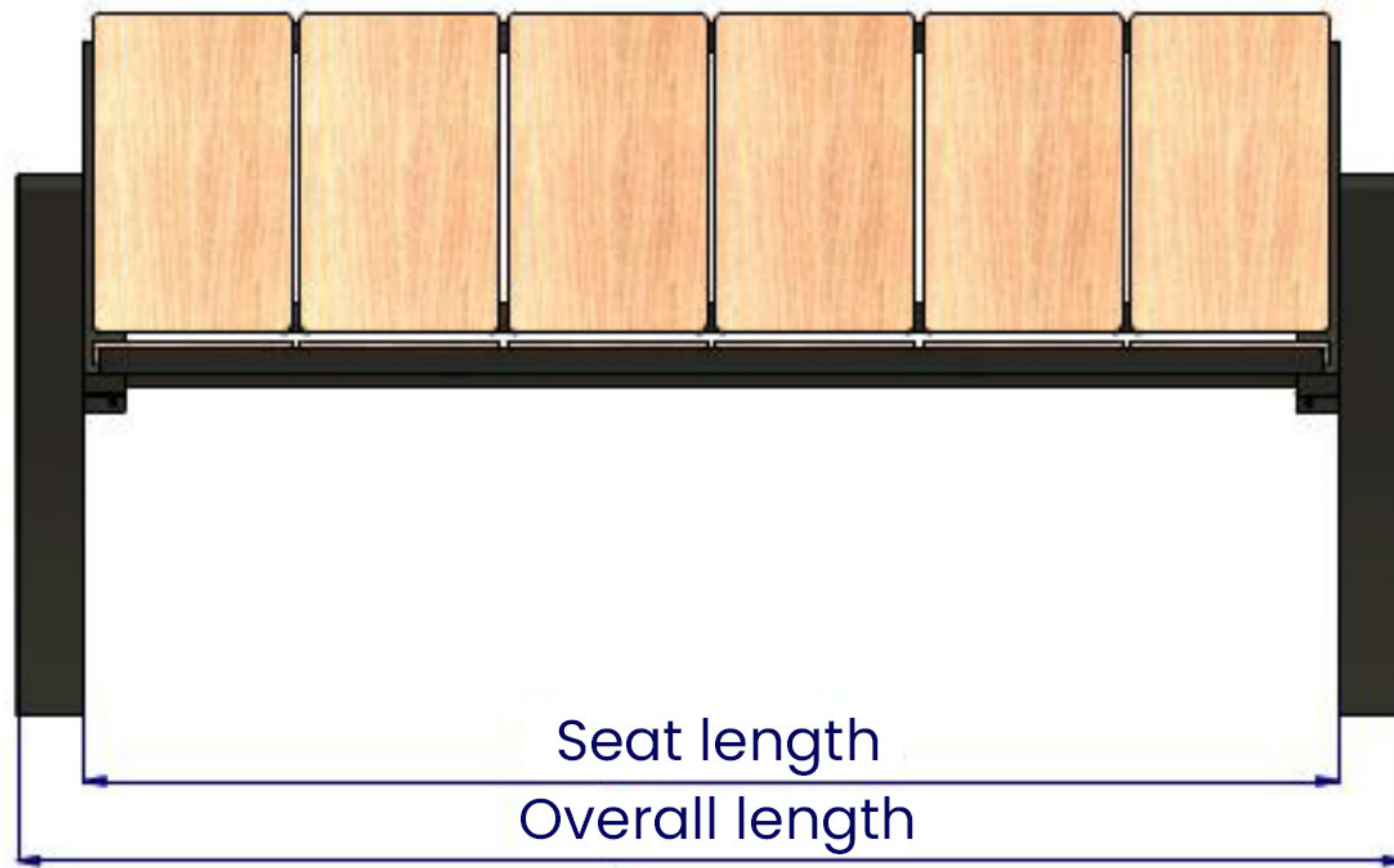


# GRANDE WITH BACKREST II HPL

## TECHNICAL SHEET

### VISUALIZATION



PRIMARIO  
GRANDE

## DIMENSIONS

Grande with backrest II HPL	<b>125</b>	<b>150</b>	<b>175</b>
Overall length*	<b>1420,0</b>	<b>1670,0</b>	<b>1920,0</b>
Overall height*	<b>830,0</b>		
Overall width*	<b>600,0</b>		
Seat length*	<b>1250,0</b>	<b>1500,0</b>	<b>1750,0</b>
Seat width*	<b>400,0</b>		
Seat height*	<b>405,0</b>		
Backrest height*	<b>400,0</b>		
Weight*	<b>43,0</b>	<b>48,0</b>	<b>53,0</b>

\*dimensions in mm, weight in kg

## TECHNICAL DATA

1. welded steel structure made of 80x40, 50x25, 30x30 profiles, S235 grade steel used.
2. Powder-coated frame.
3. 12 mm thick HPL plate, dimensions of 1 HPL piece 240x400 mm.
4. 9 mm diameter holes for mounting to the floor.