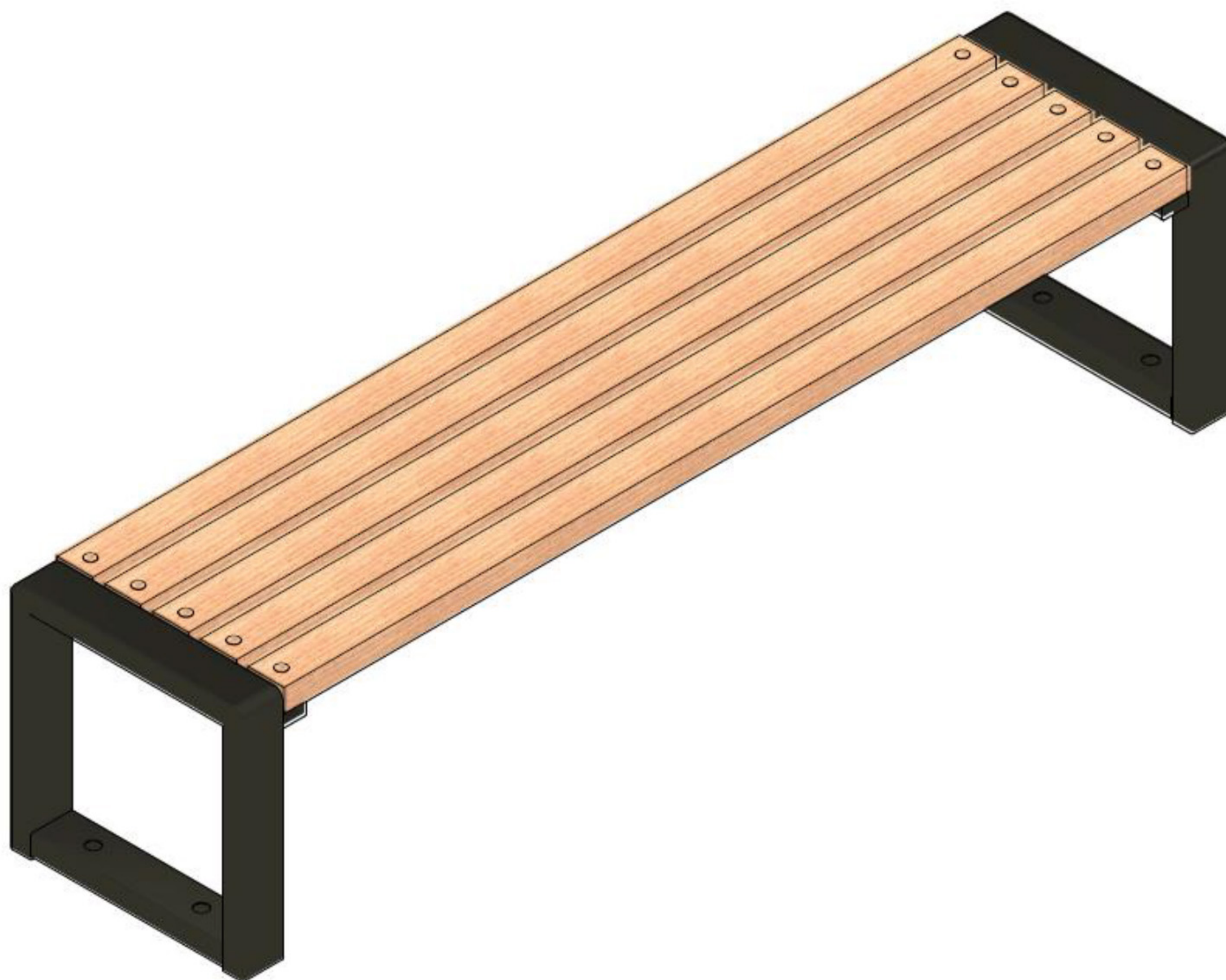
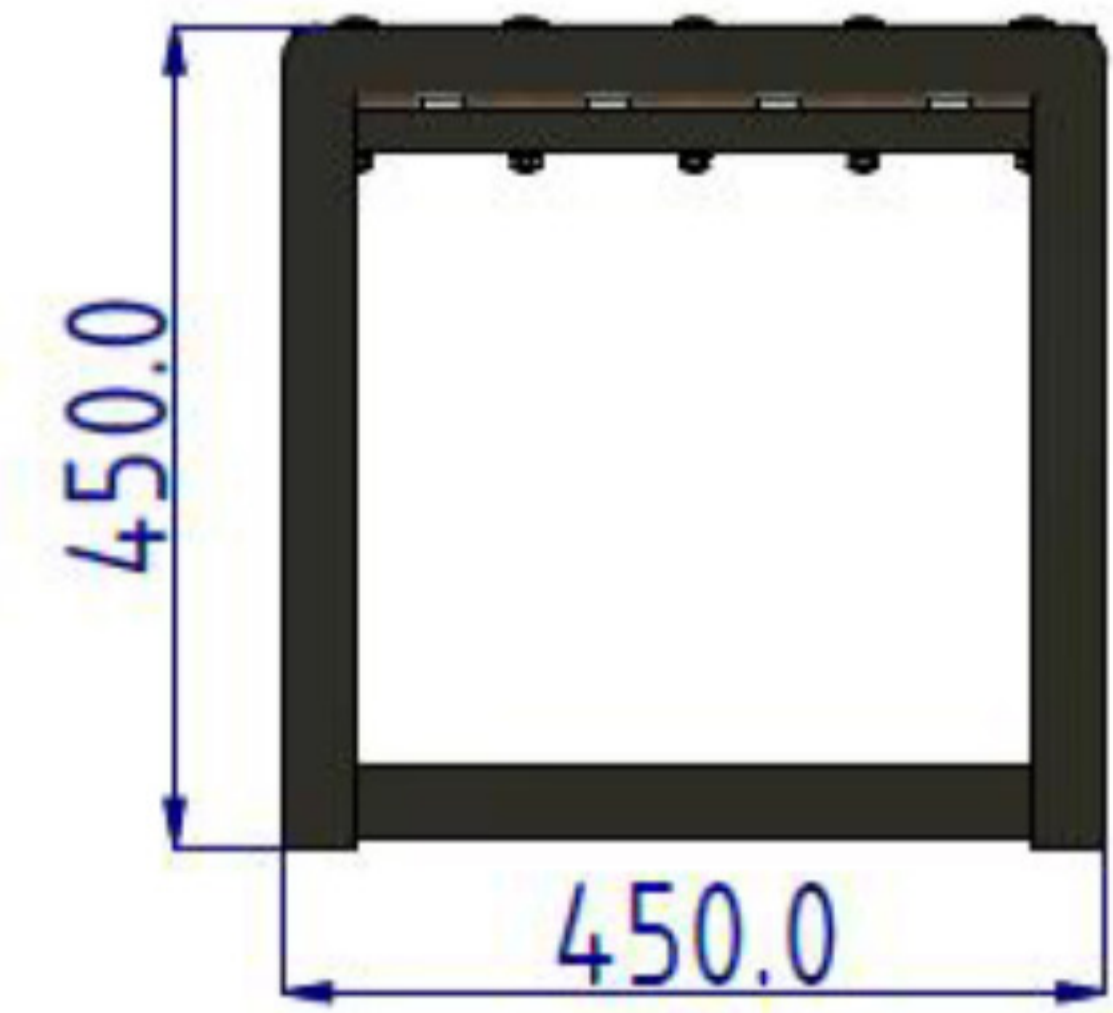
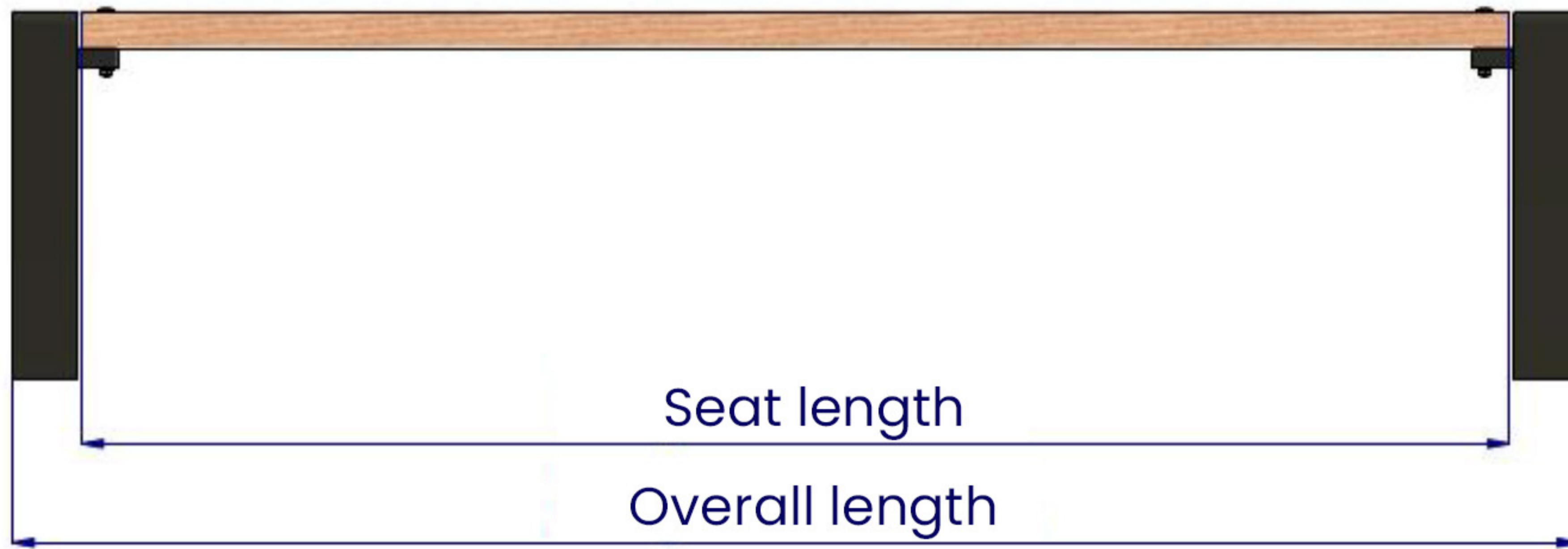


GRANDE BENCH WITHOUT BACKREST

TECHNICAL SHEET

VISUALIZATION



PRIMARIO
GRANDE

DIMENSIONS

Grande without backrest	100	125	150	175	200	220
Overall length*	1170,0	1420,0	1680,0	1920,0	2170,0	2470,0
Seat length*	1000,0	1250,0	1500,0	1750,0	2000,0	2200,0
Weight*	21,0	24,0	27,0	30,0	33,0	36,0
Overall height*	450,0					
Overall width*	450,0					
Seat width*	450,0					
Seat height*	450,0					
Board dimensions*	45,0 x70,0					

*dimensions in mm, weight in kg

TECHNICAL DATA

1. Welded steel construction made of 80x40 and 50x25 profiles, S235 grade steel used.
2. Powder-coated frame.
3. Planks dried, immersion-coated.
4. Can be assembled to the ground through 9 mm diameter holes.